

Depth Gage

Depth Gage SERIES 571 — Pin-end Type

- ABSOLUTE Point-Type Digimatic Depth Gage is suitable for measuring inside narrow holes.
- Optional longer extension bases are available.
- Data output function allows integration into statistical process control and measurement systems. (Refer to page 09-3.)
- Coolant proof type IP67 rated.



571-302-20

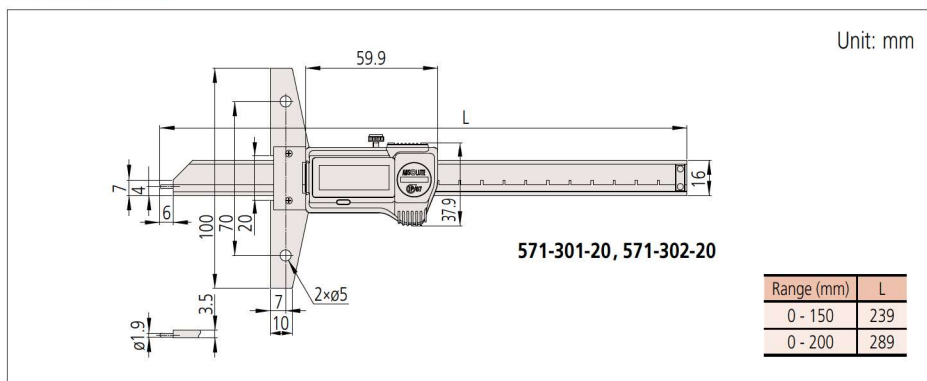
SPECIFICATIONS

Metric				
Code No.	Range (mm): L1 (L2 and L3)	Resolution (mm)	Base (W×T) (mm)	Maximum permissible error E_{MPE} (mm)*1
571-301-20	0 - 150	0.01	100×6	±0.02
571-302-20	0 - 200			
Inch / Metric				
Code No.	Range: L1 (L2 and L3)	Resolution	Base (W×T) (mm)	Maximum permissible error E_{MPE} *1
571-311-20	0 - 150 mm / 0 - 6 in	0.0005 in / 0.01 mm	100×6	±0.001 in / ±0.02 mm
571-312-20	0 - 200 mm / 0 - 8 in			

- Dust/Water protection level: IP67*2
- Power source: SR44 battery (1 pc.), **938882** included as standard (for operational checks)
- Position detection method: ABSOLUTE electromagnetic inductive linear encoder
- Battery life: Approx. 5 years
- Response speed: Unlimited

*1 Maximum permissible error, E_{MPE} , is the term defined by ISO 13385-2:2011.
*2 Rustproofing shall be applied after use if caliper was in contact with coolant.

DIMENSIONS



ABSOLUTE™



Optional Accessories

Code No.	Type	Description
264-020	—	USB Input Tool Series USB Keyboard Signal Conversion Type IT-020U
05CZA624	A	Connection cable for IT/DP/MUX (1 m)
05CZA625	A	Connection cable for IT/DP/MUX (2 m)
06AFM380A	A	USB Input Tool Direct (2 m)
02AZD730G	IP67	U-WAVE-T
02AZD880G	Buzzer	U-WAVE-T
02AZE200	—	U-WAVE-T mounting bracket
02AZD790A	A	Connection cable for U-WAVE-T (160 mm)
02AZE140A	A	Connection cable for U-WAVE-T For foot switch
264-620	IP67	U-WAVE-TC
264-621	Buzzer	U-WAVE-TC
264-624	IP67	U-WAVE-TCB Transmitter
264-625	Buzzer	U-WAVE-TCB Transmitter
02AZF310	IP67	Connecting unit for U-WAVE-TC/TCB